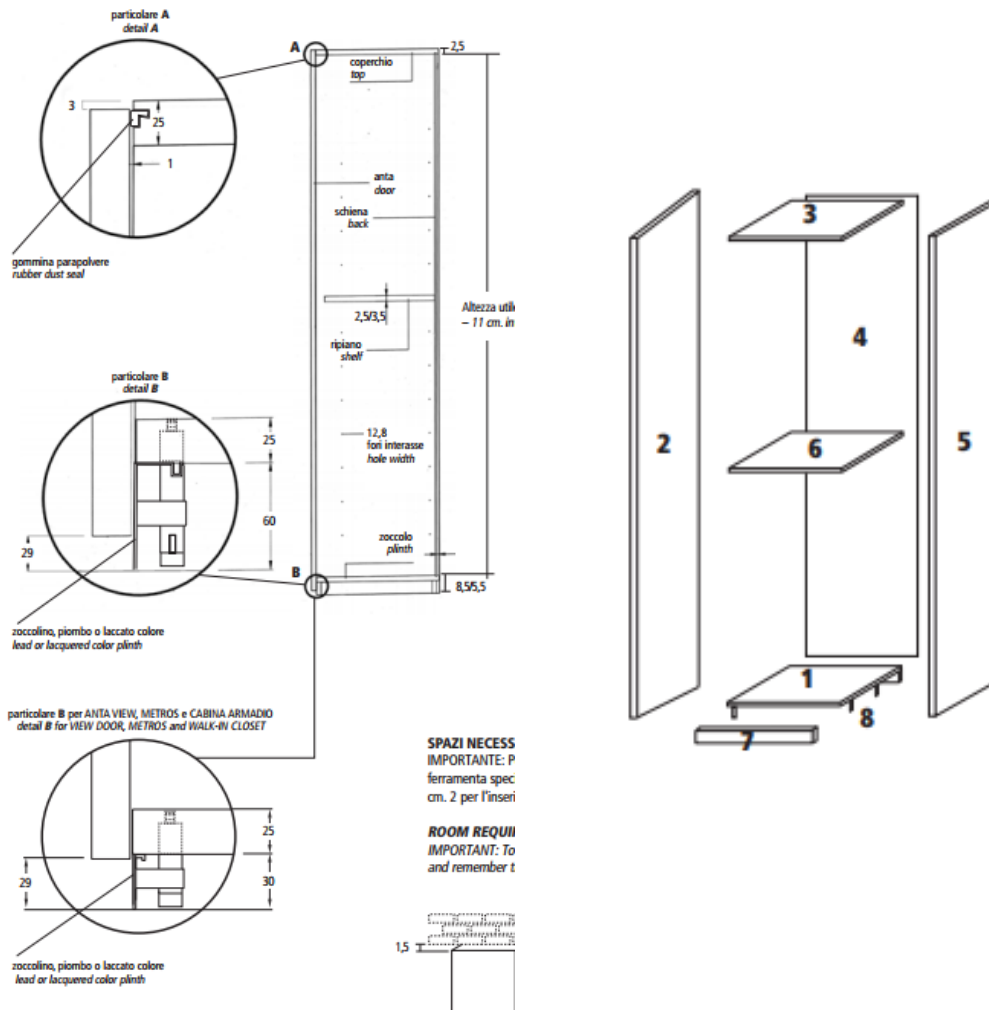


## Structure and technical specs for M range

Hinged structure:



Extra space of 4 cm to wardrobe length and 1.5 cm to wardrobe height is required for the assembling. In case of fitting in wall niche special hardware can be sourced to reduce extra length space to 2cm.

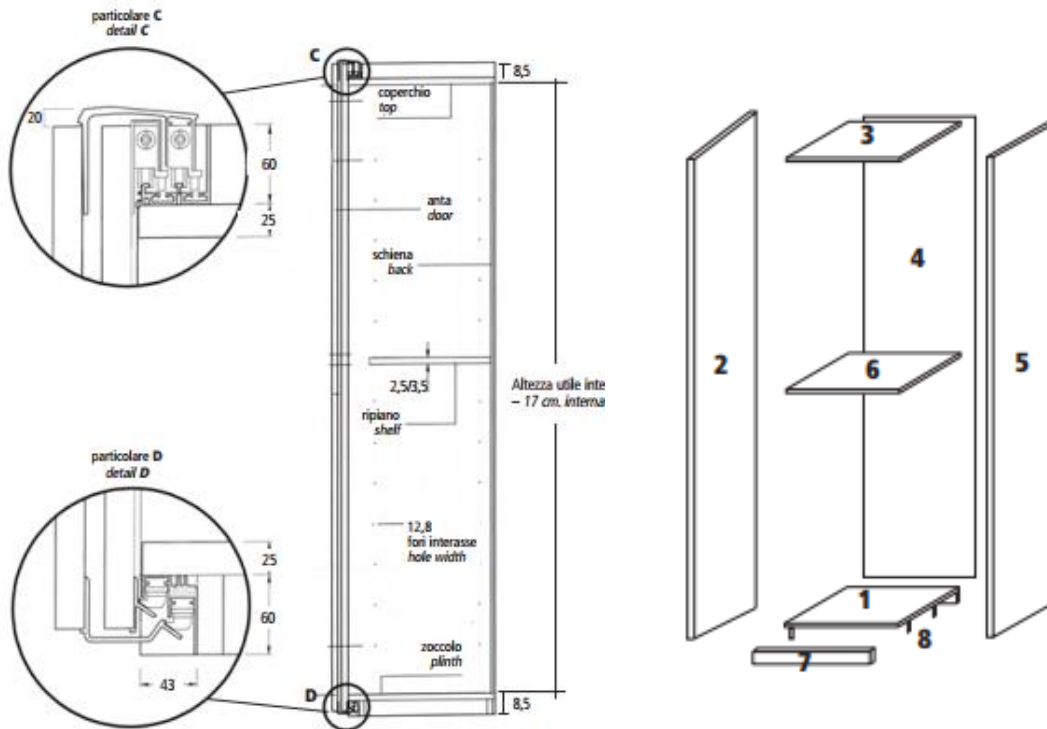
Soft closing hinges and runners.

Full extraction runners also available.

Door thickness 2.5 cm.

Depth, width and height reductions available.

Sliding structure:



Extra space of 4cm to wardrobe length and 4cm to wardrobe height is required for the assembling. In case of fitting in wall niche special hardware can be sourced to reduce extra length space to 2 cm.

Soft opening and closing system at the doors.

Soft closing runners.

Full extraction runners also available.

Door thickness from 2.5 to 10 cm depending on door type selected.

Depth, width and height reductions available.