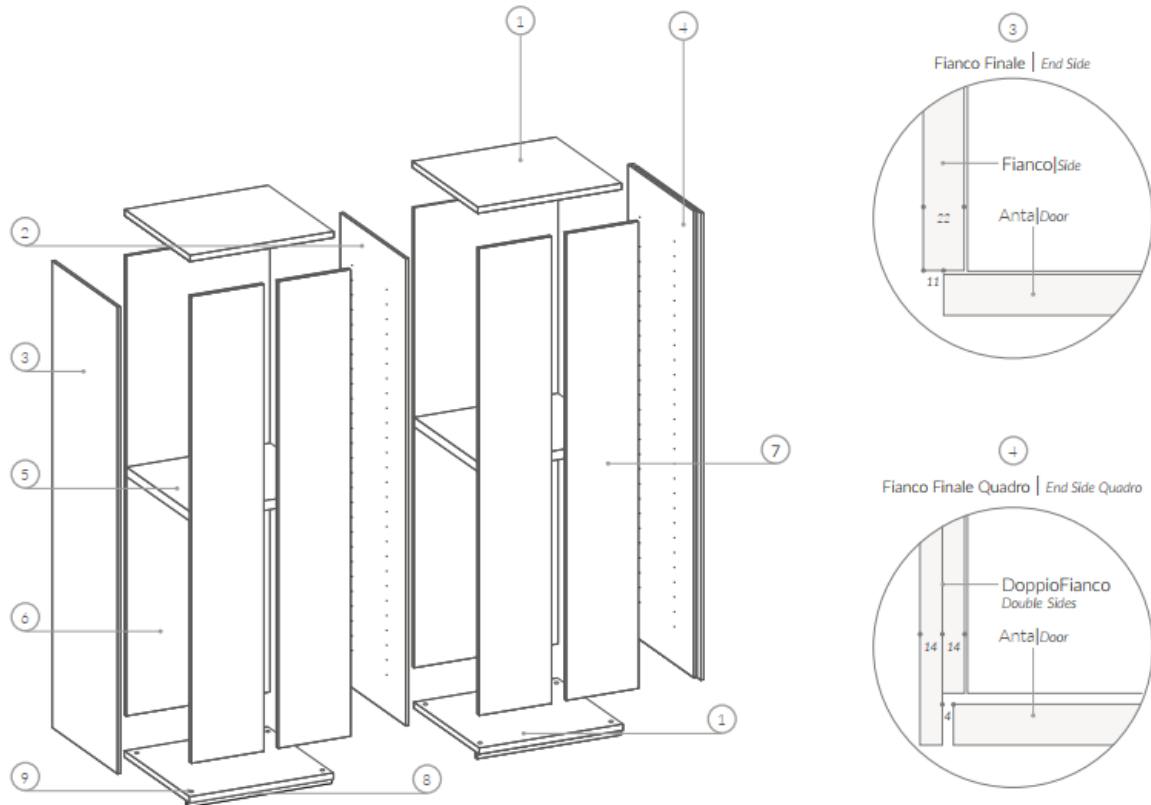


Structure and technical specs for K range

Hinged structure:



Extra space of 4cm to wardrobe length and 2cm to wardrobe height is required for the assembling. In case of fitting in wall niche special hardware can be sourced to reduce extra length space to 1cm.

Clip hinges with soft close for quick fit and settings.

Soft closing runners.

Full extraction runners also available.

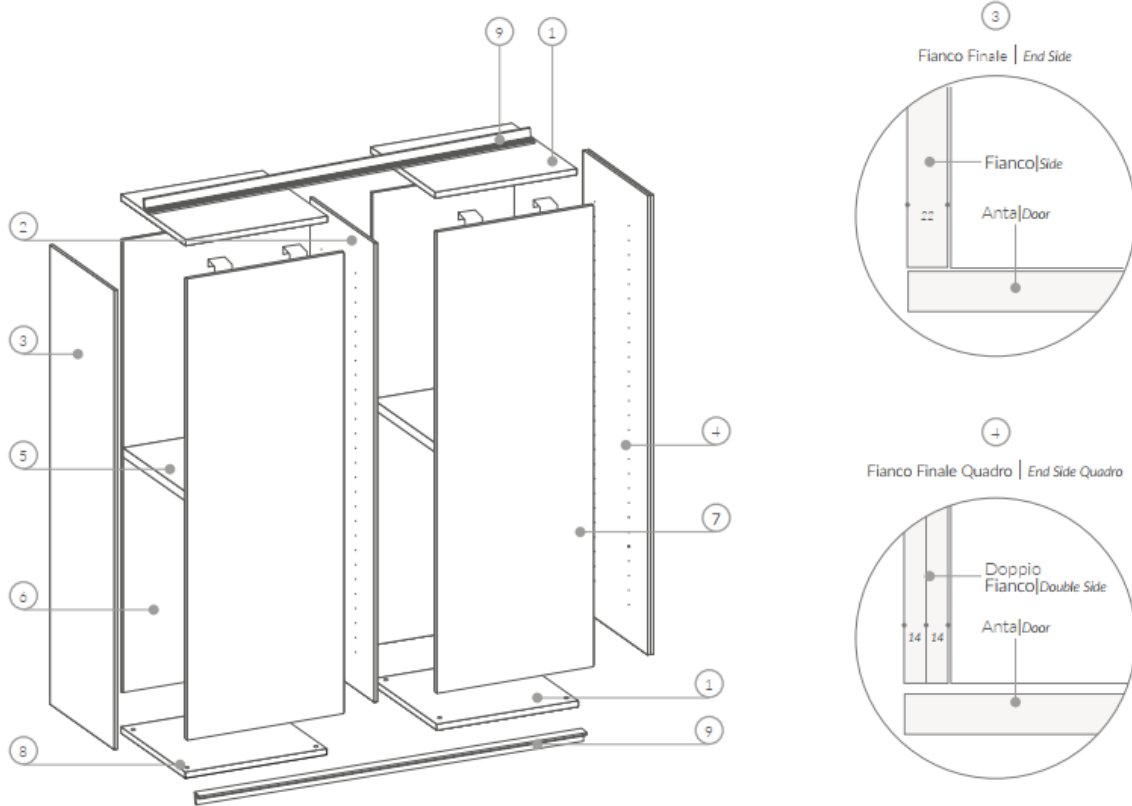
Door thickness 2.2 cm.

Depth, width and height reductions available.

Pre-drilled shelf pin holes step 8 cm.

Double faced end side panels available (Quadro).

Sliding structure:



Extra space of 4cm to wardrobe length and 5cm to wardrobe height is required for the assembling. In case of fitting in wall niche special hardware can be sourced to reduce extra length space to 1cm.

Soft opening and closing system at the doors.

Soft closing runners.

Full extraction runners also available.

Door thickness from 2.2 to 4 cm depending on door type selected.

Depth, width and height reductions available.

Pre-drilled shelf pin holes step 8 cm.

Double faced end side panels available (Quadro).